



# CENTRAL HYDRAULIC SYSTEMS

15 AND 30 GALLON



6381564



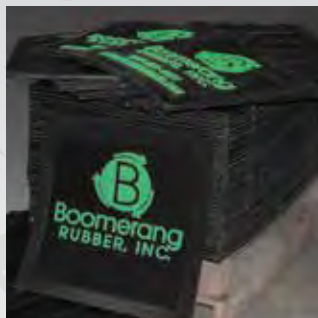
6383060



6381563

**NOTHING WORKS LIKE A DOGG™**

# Our History



**1946**  
Buyers Products Company founded by Sam Ruven and Bessie Kleinman as a distributor of driveline components.

**Tacom**

**1992** Buyers acquired Trailer Components Manufacturing (Tacom) for CNC precision machining and tooling, as well as state-of-the-art welding.

**Buyers**

Buyers continued to grow its product offerings and build valued relationships with customers and suppliers. Increased demand for products led to the pursuit of supply chain manufacturing solutions.

**PROGRESSIVE**  
POWDER COATING, INC.

**1995** Buyers acquired Progressive Powder Coating. Our Nordson automatic powder application booth is used to powder coat our Buyers toolboxes and other truck and trailer accessories.

**Buyers**  
PRODUCTS COMPANY

**2002** Buyers moved its corporate headquarters to a brand new 235,000 sq. ft. state-of-the-art office and distribution center.

**Romotech**  
ROTATIONAL MOLDING TECHNOLOGIES, INC.

**2004** Buyers acquired Romotech in New Paris, Indiana. Our Ferry Industries Rotospeed molding machines are used to manufacture our poly salt spreaders.

**SnowDogg**  
Buyers

**2007** Buyers began manufacturing the SnowDogg stainless steel snowplow at our Mentor, Ohio facility.

**Boomerang**  
RUBBER, INC.

**2009** Buyers began our operations at Boomerang Rubber, in Botkins, Ohio manufacturing mudflaps, wheel chocks and other rubber truck and trailer accessories.

**Buyers**  
PRODUCTS COMPANY

**2013** Buyers acquired an additional 500,000 sq. ft. manufacturing facility in Mentor, Ohio allowing for expansion of our aluminum and stainless steel manufacturing.

**SaltDogg**  
Buyers

**Buyers**  
PRODUCTS COMPANY

**2016** Buyers establishes a 22,000 sq ft Engineering Tech Center in Mentor, Ohio. It's multi-use lab, design, training and prototyping space is dedicated to the research and development of innovative product.

**ALL YOUR WORK  
TRUCK PRODUCTS  
ALL THE TIME.**

**2017** Buyers launches new website with business partner portal, to make online ordering and account maintenance easy for customers.

**Buyers**  
PRODUCTS COMPANY

**2021** Buyers adds almost 300,000 sq ft of additional, state-of-the-art warehouse and office space to maintain the quick turnaround and competitive value their customers expect.

## Our Corporate Family of Companies



Founded in 1946, Buyers Products is a fully integrated manufacturer and a leader in the truck equipment industry. Our engineering, manufacturing and assembly operations take place in the USA, under the Buyers family of companies. **Buyers Products' mission is to improve our Customers' profitability and productivity while enhancing the quality of our products and services.**





**15 Gallon Central Hydraulic System ..... 4-7**

15 Gallon Overview ..... 4-5

15 Gallon Systems ..... 6-7

**30 Gallon Central Hydraulic System ..... 8-11**

30 Gallon Overview ..... 8-9

30 Gallon Systems ..... 10-11

# NEW PRODUCTS:

**15 Gallon CHS  
with Compact Reservoir**  
6 Function, with GPS Ground Speed Control  
*pg. 6-7*



6381564

**30 Gallon CHS  
Air Proportional with Seat Mount Base**  
6 Function  
*pg. 10-11*



6383065

**30 Gallon CHS  
Electric Proportional with Seat Mount Base**  
6 Function  
*pg. 10-11*



6383064

# 15 Gallon Central Hydraulic System

## Ideal for 1-Ton Super Duty Trucks

The 15 Gallon Central Hydraulic System (CHS) is designed for quick and easy installation. Electric, in-cab controllers for plow, spreader, and hoist eliminate the need to plumb multiple hydraulic lines into the cab. Not only does the system save installation time; it saves cab space and frame rail space, and keeps the heat and noise outside.



### Dump Hoist & Plow Controls

*Directs plow and hoist functions*

- 4 or 6 Function options
- Hoist safety interlock system
- Detented plow switch



### Clutch Pump Kits (sold separately)

*Circulates oil to respective parts*

- Meets demanding hydraulic requirements
- Fits most 1-Ton & Super Duty trucks
- Works with or without air conditioning

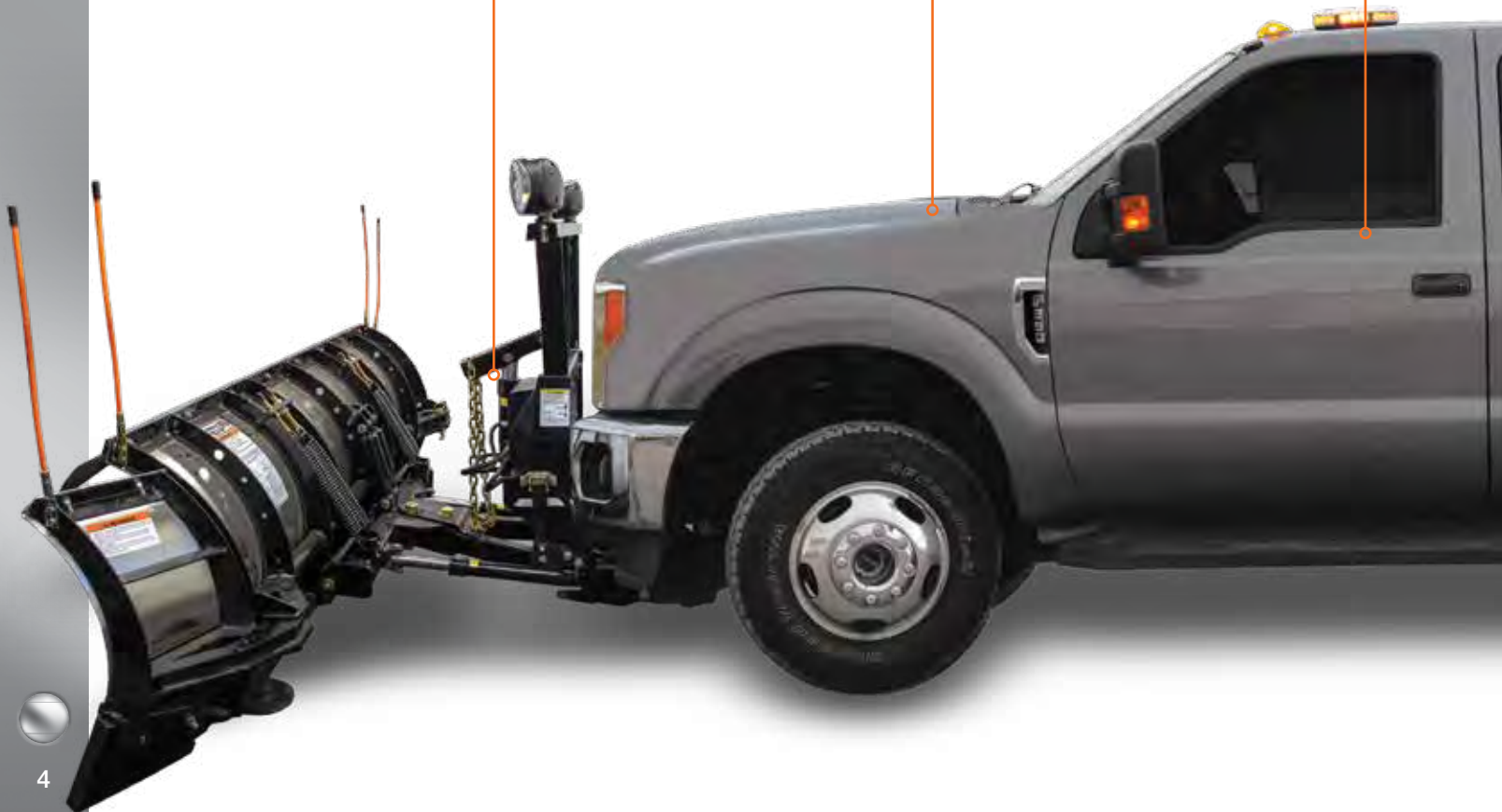


GARMIN

### Spreader/Liquid Spray Controller

*Directs spreader functions*

- Controller unit for Auger/Conveyor, Spinner & Pre-wet
- Automatically switches between manual and auto modes for uninterrupted spreading
- Optional Garmin® GPS for proportional ground speed control





STANDARD TANK

JIC fitting



COMPACT TANK



LS4T shown

**Central Hydraulic System**

*Center for directional oil flow and plow, spreader, and hoist control*

- Save frame rail space
- In-tank return filter assembly for oil refinement
- Pre-plumbed for quick installation
- 304 Stainless steel construction
- 4 or 6-Function valve options

**Pre-Wet Systems (optional)**

*Complete chemical dispersion systems*

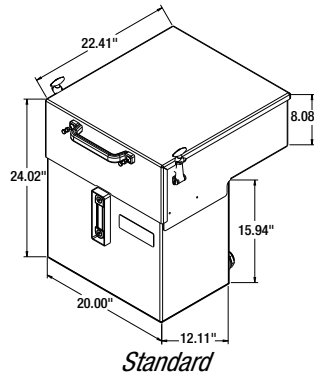
- Works with spreaders for more efficient material applications
- Systems include 30-200 gal. tanks, pre-plumbed pump enclosure, in-cab controller, all required hoses, fittings, valves, and clamps



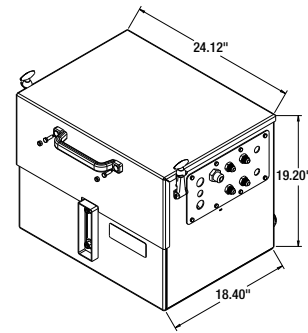
# 15 Gallon Central Hydraulic System

## TANK FEATURES

- 304 Stainless steel reservoir for corrosion resistance
- Ported valves eliminate excessive plumbing
- Pre-plumbed for quick installation (standard)
- Includes:
  - In-tank return filter
  - Stainless steel strainer
  - Poly filler/breather assembly
  - Sight temperature and level gauge
  - Easily removed enclosure lid



















Standard



Compact

## SYSTEM OPTIONS:

VALVING FUNCTIONS	PLOW/HOIST CONTROL	SPREADER CONTROL	RESERVOIR TYPE	SYSTEM PART NO.
<b>4 FUNCTION:</b> ELECTRIC ON/OFF 	 3030861- Electric ON/OFF dump/hoist control	 HVC05 - Auger/conveyor, spinner controls with programmable blast	 3030999 - Standard	<b>6381540</b>
			 3047258 - Compact	<b>6381542</b>
			 3030999 - Standard	<b>6381541</b>
		 HVC06 - Auger/conveyor, spinner, and pre-wet controls with programmable blast with Garmin® GPS ground speed control	 3047258 - Compact	<b>6381544</b>
			 3031000 - Standard	<b>6381560</b>
			 3031000 - Standard	<b>6381561</b>
<b>6 FUNCTION:</b> ELECTRIC ON/OFF 	 HVESB- ON/OFF Electric dump/hoist and plow control	 HVC05 - Auger/conveyor, spinner controls with programmable blast	 3031000 - Standard	<b>6381560</b>
			 3050999 - Compact	<b>6381564</b>
		 HVC06 - Auger/conveyor, spinner, and pre-wet controls with programmable blast with Garmin® GPS ground speed control		

## 4 FUNCTION SYSTEMS - ELECTRIC/HYDRAULIC

PART NO.	DESCRIPTION
<b>6381540</b>	<b>4 Function</b> , 15 Gallon Capacity, Standard Reservoir, Manual Spreader Control
<b>Contains:</b>	
3030999	Reservoir, 15 Gal. Assembly, 4 Function
HVH20	20ft Wire Harness, Valve Side
3030867	20ft Wire Harness, Hoist Spool
3030861	Switch Box For HVE 1 Spool Valve
HVC05	Controller for HV715EP or HV1030EP
HVH8	8ft Wire Harness, Power Side
HVEH9	9ft Wire Harness for HVE Valves

PART NO.	DESCRIPTION
<b>6381542</b>	<b>4 Function</b> , 15 Gallon Capacity, Compact Reservoir, Manual Spreader Control
<b>Contains:</b>	
3047258	Compact Reservoir, 15 Gal. Assembly, 4 Function
HVH20	20ft Wire Harness, Valve Side
3030867	20ft Wire Harness, Hoist Spool
HVEH9	9ft Wire Harness for HVE Valves
3030861	Switch Box For HVE 1 Spool Valve
HVC05	Controller for HV715EP or HV1030EP
HVH9	8ft Wire Harness for HVC06

PART NO.	DESCRIPTION
<b>6381541</b>	<b>4 Function</b> , 15 Gallon Capacity, Standard Reservoir, GPS Ground Speed Control
<b>Contains:</b>	
3030999	Reservoir, 15 Gal. Assembly, 4 Function
HVH20	20ft Wire Harness, Valve Side
3030867	20ft Wire Harness, Hoist Spool
HVH9	8ft Wire Harness for HVC06
HVEH9	9ft Wire Harness for HVE Valves
3030861	Switch Box For HVE 1 Spool Valve
HVC06	Controller with Ground Speed Input
GPS1	GPS Unit with Converter and Connector

PART NO.	DESCRIPTION
<b>6381544</b>	<b>4 Function</b> , 15 Gallon Capacity, Compact Reservoir, GPS Ground Speed Control
<b>Contains:</b>	
3047258	Compact Reservoir, 15 Gal. Assembly, 4 Function
HVH20	20ft Wire Harness, Valve Side
3030867	20ft Wire Harness, Hoist Spool
HVH9	8ft Wire Harness for HVC06
HVEH9	9ft Wire Harness for HVE Valves
3030861	Switch Box For HVE 1 Spool Valve
HVC06	Controller with Ground Speed Input
GPS1	GPS Unit with Converter and Connector

## 6 FUNCTION SYSTEMS - ELECTRIC/HYDRAULIC

PART NO.	DESCRIPTION
<b>6381560</b>	<b>6 Function</b> , 15 Gallon Capacity, Standard Reservoir, Manual Spreader Control
<b>Contains:</b>	
3031000	Reservoir, 15 Gal. Assembly, 6 Function
HVH20	20ft Wire Harness, Valve Side
HVEH20	20ft Wire Harness, HVE 3 Spool
HVC05	Controller for HV715EP or HV1030EP
HVH8	8ft Wire Harness, Power Side
HVESB	Switch Box for HVE 3 Spool Valve
HVEH9	9ft Wire Harness for HVE 3 Spool Power

PART NO.	DESCRIPTION
<b>6381561</b>	<b>6 Function</b> , 15 Gallon Capacity, Standard Reservoir, GPS Ground Speed Control
<b>Contains:</b>	
3031000	Reservoir, 15 Gal. Assembly, 6 Function
HVH20	20ft Wire Harness, Valve Side
HVEH20	20ft Wire Harness, HVE 3 Spool
HVH9	8ft Wire Harness for HVC06
HVC06	Controller with Ground Speed Input
GPS1	GPS Unit with Converter and Connector
HVESB	Switch Box for HVE 3 Spool Valve
HVEH9	9ft Wire Harness for HVE Valves

PART NO.	DESCRIPTION
<b>6381564</b>	<b>6 Function</b> , 15 Gallon Capacity, Compact Reservoir, GPS Ground Speed Control
<b>Contains:</b>	
3050999	Compact Reservoir, 15 Gal. Assembly, 6 Function
HVH20	20ft Wire Harness, Valve Side
HVEH20	20ft Wire Harness, HVE 3 Spool
HVH9	8ft Wire Harness for HVC06
HVC06	Controller with Ground Speed Input
GPS1	GPS Unit with Converter and Connector
HVESB	Switch Box for HVE 3 Spool Valve
HVEH9	9ft Wire Harness for HVE Valves

# 30 Gallon Central Hydraulic System

## Ideal for Class 6, 7, and 8 Trucks

The 30 Gallon Central Hydraulic System (CHS) is an all-in-one way to power and operate a hoist, plow, spreader, and pre-wet system. The system is easy to install and even easier to use. Features like in-cab electric controls are ideal for installers and operators alike. By eliminating the need to plumb multiple hydraulic lines into the cab, the controls cut down install time, save cab space, and keep the heat and noise outside the cab.



Optional 8 button auxiliary control panel available (see page 11 for info)

### Pneumatic Hoist and Plow Control

*Proportional controls of hoist and plow*

- 6-Function options (additional available)
- Hoist safety interlock system
- Detented plow lever



### Clutch Pump Kits (sold separately)

*Circulates oil to respective parts*

- Meets demanding hydraulic requirements
- Fits most class 6, 7, and 8 trucks
- Works with or without air conditioning



GARMIN

### Spreader Controller

*Directs spreader functions*

- Controller unit for Auger-Conveyor, Spinner & Pre-wet
- Automatically switches between manual and auto modes for uninterrupted spreading
- Includes Garmin® GPS for proportional ground speed control





AIR SHIFT MANUAL



HOT SHIFT ELECTRIC



156493 - load sense piston pump



**Central Hydraulic System Tank**

*Provides directional oil flow for plow, spreader, and hoist control*

- Cutting edge, space saving design
- In-tank return filter assembly for oil refinement
- 6-Function valve options (additional available)
- JIC Bottom ported manifold eliminates excessive hoses
- 30 gallon, 304 stainless steel tank

**Power Take Off (sold separately)**

*Powers pump*

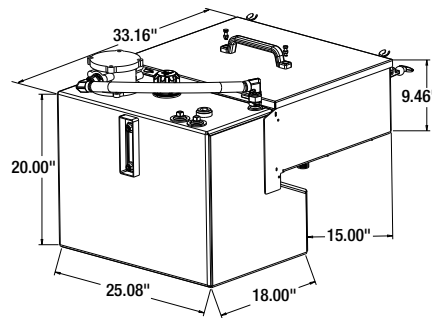
- Available in cable, air, and electric hot shift
- Common mounting style for easy installation of hydraulic pumps
- Central hydraulic system requires either PTO or clutch pump



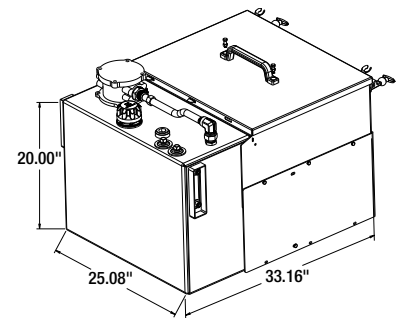
# 30 Gallon Central Hydraulic System

## TANK FEATURES

- 304 Stainless steel reservoir for corrosion resistance
- Bottom ported valves eliminate excessive plumbing
- Pre-plumbed for quick installation
- Includes:
  - In-tank return filter
  - Stainless steel strainer
  - Poly filler/breather assembly
  - Sight temperature and level gauge
  - Easily removed enclosure lid



3034441 Reservoir



3041000 Reservoir

## SYSTEM OPTIONS:

VALVING FUNCTIONS	PLOW/HOIST CONTROL & MOUNT	SPREADER CONTROL	RESERVOIR TYPE	SYSTEM PART NO.	
<b>6 FUNCTION: AIR PROPORTIONAL</b>	<i>Proportional air dump/hoist with neutral safety interlock and plow joystick control</i>	<p>HVC06T</p>	<p>3034441</p>	<p><b>6383060</b></p>	
		<p>HVC06T with GPS</p>	<p>3034441</p>	<p><b>6383061</b></p>	
		<p>3039773</p>	<p>3034441</p>	<p><b>6383065</b></p>	
		<p>console with floor base</p>			
		<p>console with seat mounted base</p>			
<b>6 FUNCTION: ELECTRIC PROPORTIONAL</b>	<i>Proportional electric dump/hoist with neutral safety interlock and plow joystick control</i>	<p>3039773</p>	<p>3041000</p>	<p><b>6383063</b></p>	
		<p>3039773</p>	<p>3041000</p>	<p><b>6383064</b></p>	
		<p>console with floor base</p>			
		<p>console with seat mounted base</p>			

## 6 FUNCTION SYSTEMS - AIR PROPORTIONAL

PART NO.	DESCRIPTION
<b>6383060</b>	<b>6 Function</b> , 30 Gallon Capacity, Air Proportional, No GPS, Floor Mounted Base
<b>Contains:</b>	
HVC06T	4.3" Touch Screen Spreader Controller
K70FDA	Dual Axis Feathering Air Control Valve
K70DFD	Single Lever Air Control Valve
HVH8	8ft Wire Harness, Power Side
HVH25	25ft Wire Harness, Valve Side
SK12	Body-Up Indicator Kit with Buzzer Light

PART NO.	DESCRIPTION
<b>6383061</b>	<b>6 Function</b> , 30 Gallon Capacity, Air Proportional, with GPS, Floor Mounted Base
<b>Contains:</b>	
HVC06T	4.3" Touch Screen Spreader Controller
K70FDA	Dual Axis Feathering Air Control Valve
K70DFD	Single Lever Air Control Valve
HVH8	8ft Wire Harness, Power Side
HVH25	25ft Wire Harness, Valve Side
SK12	Body-Up Indicator Kit with Buzzer Light
GPS1	GPS Unit with Converter and Connector

PART NO.	DESCRIPTION
<b>6383065</b>	<b>6 Function</b> , 30 Gallon Capacity, Air Proportional, No GPS, Seat Mounted Base
<b>Contains:</b>	
3039773	3 Channel Spreader Controller
K70FDA	Dual Axis Feathering Air Control Valve
K70DFD	Single Lever Air Control Valve
3039774	25ft Wire Harness, Main
3039775	4ft Wire Harness for 3039773
3045673	3ft Wire Harness, Spreader
SK12	Body-Up Indicator Kit with Buzzer Light

## 6 FUNCTION SYSTEMS - ELECTRIC PROPORTIONAL

PART NO.	DESCRIPTION
<b>6383063</b>	<b>6 Function</b> , 30 Gallon Capacity, Electric Proportional, NO GPS, Floor Mounted Base
<b>Contains:</b>	
3039773	3 Channel Spreader Controller
3039777	Dual Axis 2 Button Joystick
3044940	Single Axis Joystick with Push Button
3039774	25ft Wire Harness, Main
3039775	4ft Wire Harness for 3039773
3039776	Programmable Plow Module
3039778	Wire Harness, Plow Module to Joystick
3045673	3ft Wire Harness, Spreader
SK12	Body-Up Indicator Kit with Buzzer Light

PART NO.	DESCRIPTION
<b>6383064</b>	<b>6 Function</b> , 30 Gallon Capacity, Electric Proportional, NO GPS, Seat Mounted Base
<b>Contains:</b>	
3039773	3 Channel Spreader Controller
3039777	Dual Axis 2 Button Joystick
3044940	Single Axis Joystick with Push Button
3039774	25ft Wire Harness, Main
3039775	4ft Wire Harness for 3039773
3039776	Programmable Plow Module
3039778	Wire Harness, Plow Module to Joystick
3045673	3ft Wire Harness, Spreader
SK12	Body-Up Indicator Kit with Buzzer Light

## OPTIONAL 6391308 - 8-Function "Smart Switch" Panel With Backlit Legends, LED Indicator Lights, 15A Load Rating Per Switch

*Can be used with all 30 Gallon CHS Systems.  
Installs in the Control Console*





6383061 CHS Shown

[BuyersProducts.com](http://BuyersProducts.com)

