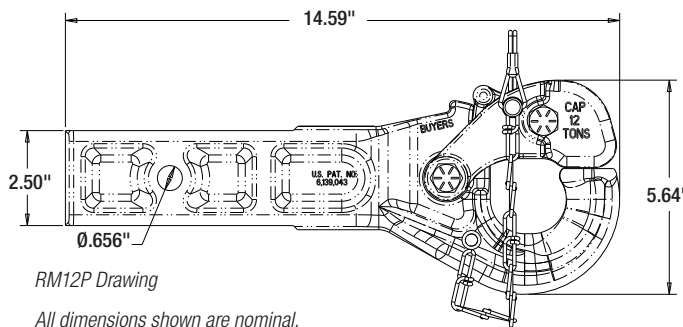
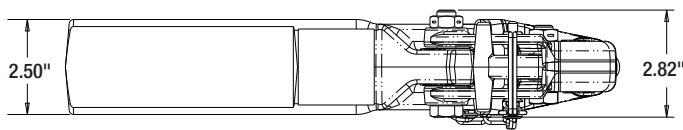
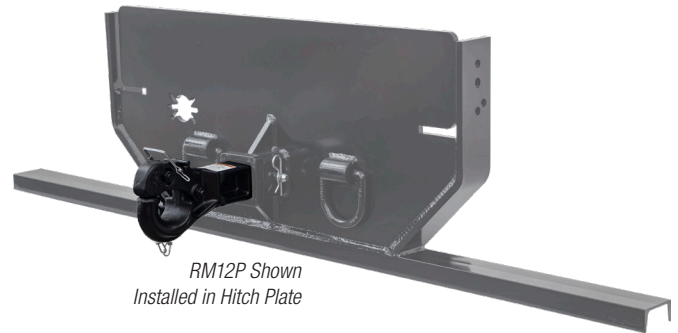


RM12P Shown



RM12P Drawing

All dimensions shown are nominal.



RM12P Shown
Installed in Hitch Plate

RECEIVER MOUNT PINTLE HOOKS

FOR 2" & 2-1/2" INCH HITCH RECEIVERS

- Drop-forged steel with black powder-coat finish
- Spring-loaded pintle hook lock arm provides a secure hold on 2 in. to 3 in. I.D. lunette eyes
- Easily hooks up to lunette eye/drawbar eye
- Safety pin with chain retainer
- 5/8" hitch pin sold separately
- US Patent No. 6,139,043
- Retail packaged

PART NO.	DESCRIPTION	RECEIVER SIZE	M.G.T.W.	M.V.L.	WT. (LBS.)
RM5P	5 Ton Pintle Hook	2"	10,000	2,000	14.22
RM12P*	12 Ton Pintle Hook	2.5"	24,000	3,600	19.75

* **NEW** PRODUCTS



6336 Grover St Omaha, NE 68106

P: 402-558-5300
F: 402-558-7946

www.badgerbody.com



091923