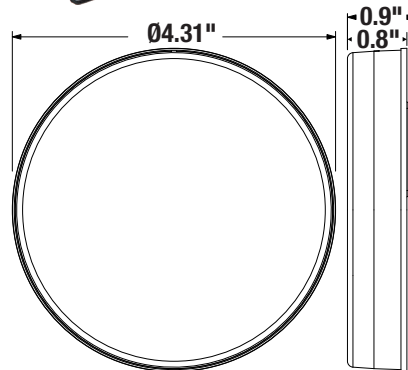
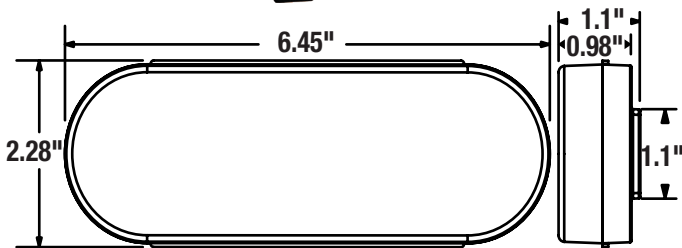
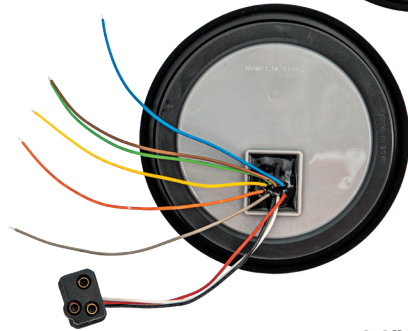


PL-3 Connection  
& Back Wiring



All dimensions shown are nominal.

## LED COMBINATION STOP/TURN/TAIL/BACKUP/STROBE

- 24 LEDs
- 12-24 V
- 12 Red, 6 Clear and 6 Amber
- 57 Flash Patterns; 6 LED Strobe can be: all amber, all clear, or half amber and half clear.
- Each color has 19 flash patterns
- Rated SAE J595 Class 1
- Rated IP69 for extreme water and dust resistance
- 5-Year Warranty
- Patent Pending combination light optic design

PART NO.	DESCRIPTION	PROD. CAT.	WT. (LBS.)
5626424	6" Oval LED Multi-function Stop/Turn/Tail/Backup/Strobe Light	562	0.5
5624424	4" Round LED Multi-function Stop/Turn/Tail/Backup/Strobe Light	562	0.5



6336 Grover St Omaha, NE 68106

P: 402-558-5300  
F: 402-558-7946

www.badgerbody.com

\* **NEW** PRODUCTS



07012024

LIT5626424\_A\_NP